



YANMAR

SV100-7 2PB

MIDI-EXCAVATOR



Operating weight (rubber Crawlers/steel Crawlers)

10 335 kg/10 445 kg

Engine

4TNV98CT-VBV2

Net power

51.0kW/69.3HP at 2100 min⁻¹

Digging force (short arm/long arm)

45.9 kN

Digging force (bucket)

68.4 kN

THE DEFINITION OF POWER IN A COMPACT SOLUTION



COMPACTNESS

The SV100-7 2PB delivers powerful performance in a compact size. With an overall width of just 2,320 mm and a weight ranging from 10,335 kg to 10,445 kg, this excavator provides exceptional stability and top-tier performance for demanding tasks.



LATEST TECHNOLOGY

The SV100-7 2PB features a field-proven Yanmar four-cylinder turbo diesel engine, which is fuel-efficient, environmentally friendly, and compliant with EU Stage V emissions legislation. Direct injection and common rail technology maximize engine performance. The advanced ViPPS2i hydraulic system optimizes hydraulic flow for an ideal combination of speed, power, and balance, ensuring smooth work cycles even while driving.



MAXIMUM FLEXIBILITY

With the unique Yanmar design of a top mounted cylinder, the SV100-7 2PB offers unreached lifting capacity at minimum dimensions. This makes it ideal for a huge range of applications.



SIMPLE OPERATION

Operators can maneuver and control the machine with ease, thanks to the intuitive and ergonomically arranged levers, switches, and pedals. The 7-inch color display simplifies adjusting machine settings and monitoring data, making it effortless to manage the machine effectively.



SAFETY FIRST

The SV100-7 2PB prioritizes safety with ROPS, TOPS, and FOPS Level 1 certifications. It includes a disengageable driving alarm, visible orange seat belt, LED work lights, and reverse and side view cameras. Additional options, such as an amber LED beacon, seatbelt sensor, and 270° camera system, further enhance safety.



SPACIOUS AND COMFORTABLE CAB

The SV100-7 2PB stands out for its maximum operator comfort and site productivity, boasting the widest cab in its class. With expansive glass surfaces and exceptional all-round visibility, coupled with numerous features, it guarantees a comfortable working environment.



MINIMISED OPERATING COSTS

The SV100-7 2PB achieves a harmonious balance between productivity and compactness, boasting low fuel consumption, extended service life, and simplified maintenance. These factors collectively lead to highly advantageous overall operating expenses. Equipped with standard features like idle shutdown and automatic engine shutdown, the SV100-7 enhances operational efficiency and cost-effectiveness.

OPERATOR COMFORT AT ITS BEST



The SV100-7 2PB sets a new standard in operator comfort and productivity with its meticulously designed cab, tailored to meet the needs of the modern-day driver. Crafted with ergonomic precision, this workspace offers unparalleled comfort and organization, ensuring peak performance during long construction days. With exceptional all-round visibility and thoughtful design elements, fatigue is minimized, and safety is maximized.

ENHANCED CAB COMFORT AND VISIBILITY:

Step into the spacious sanctuary of the SV100-7 2PB's cab, where operator comfort meets unparalleled functionality. Designed with meticulous attention to detail, the cab offers a haven for operators amidst the hustle and bustle of construction sites. Its expansive glass surfaces and wide entrance not only create an inviting atmosphere but also provide operators with exceptional all-round visibility, enhanced further by the surround view camera system. This system ensures operators have a clear view of their surroundings at all times, boosting confidence and safety. Whether navigating tight spaces or maneuvering through challenging terrain, operators can rely on the SV100-7 2PB's cab to provide a comfortable and secure working environment, enhancing both safety and productivity.

IMPROVED CONTROLS AND ERGONOMICS:

Inside the SV100-7 2PB's cab, innovation meets ergonomic design to redefine the operator experience. Every element is meticulously engineered to enhance operator comfort and efficiency. Adjustable armrests, ergonomic foot pedals, and optimally positioned joysticks minimize operator fatigue, allowing for precise control and smooth operation throughout the workday. The cab boasts a range of highlights, including:

- + High-resolution 7-inch color display
- + Simple menu navigation
- + 5 storage slots for different attachments
- + Setting & saving of the oil flow for up to 3 auxiliary hydraulic circuits

These features empower operators to confidently tackle tasks with ease and precision, knowing they have the tools they need to excel.



ELEVATE EFFICIENCY WITH THE TWO-PIECE BOOM



SUPERIOR LIFTING CAPACITY

The innovative two-piece boom design allows the load to be positioned closer to the machine's center, optimizing conditions for heavy lifting tasks such as pipe laying and handling heavy cable rolls. This design significantly enhances lifting capacity and stability, making challenging jobs more manageable and efficient.

MAXIMUM EFFICIENCY

With the extensive reach provided by the two-piece boom, the need for frequent machine repositioning is drastically reduced. This advantage translates to minimal ground disturbance and less downtime, resulting in a cleaner, faster, and more efficient workflow. The two-piece boom ensures optimal coverage of the work area, improving overall productivity.

ULTRA COMPACT DESIGN

The SV100-7 2PB excels in digging operations close to the machine, offering superior vertical and horizontal excavation capabilities in narrow spaces. Its compact design requires minimal space around the machine, enhancing maneuverability and efficiency on various job sites. This compactness allows for precise operations in tight conditions, maximizing productivity.

ENHANCED VERSATILITY

The versatility of the SV86-7 2PB offers a wide range of possible applications : higher reach for demolition, loading of bigger trucks... and much more! On top of that, its smaller transport dimensions make it possible to access any jobsite!



YANMAR'S INNOVATIVE TWO-PIECE BOOM DESIGN



Yanmar provides a unique type of two-piece articulated boom for this machine category, offering numerous benefits.

SINGLE TOP MOUNTED ARTICULATION CYLINDER

The SV100-7 2PB features a single top-mounted articulation cylinder. This particularity - which is unique in its size class - provides numerous advantages to the machine operator:

ENHANCED LIFTING CAPACITY

Reduced weight contributes to better lifting performance.

INCREASED RELIABILITY

Fewer parts mean greater reliability.

MINIMIZED MAINTENANCE:

Less greasing is required, reducing maintenance costs and saving time.

IMPROVED PROTECTION:

The design offers better protection against damage.



OUTSTANDING PERFORMANCE

Yanmar's expertise in compact equipment design ensures the SV100-7 2PB delivers impressive performance with minimal environmental impact. This versatile model offers power, flexibility, and precision to maximize productivity on the job site. Standard features like the floating blade position and pressure limiter for the hammer circuit, along with optional functions, provide maximum flexibility for various applications regardless of terrain or conditions.

COMPACT YET MIGHTY

With impressive breakout forces of 61.3 kN (bucket) and 39.6 kN (dipper arm), the SV100-7 2PB consistently surpasses expectations for a 10-tonne short-tail excavator. Its robust 51 kW engine delivers high working speeds and powerful movements while maintaining ultra-low noise emissions. Ideal for challenging projects, especially in confined and residential areas.

CUTTING-EDGE HYDRAULIC

The SV100-7 2PB maximizes productivity with Yanmar's ViPPS2i[™] hydraulic system, ensuring smooth and coordinated movements. This system, proven across various Yanmar models, features a variable flow axial piston pump, gear pump, and central main control valve for enhanced efficiency, comfort, and safety.

Combined with the reliable Yanmar 4-cylinder diesel engine, it creates an unbeatable team ready for any task.

ADVANCED ENGINE TECHNOLOGY

The SV100-7-2PB features Yanmar's Stage V compliant 4TNV98CT engine, renowned for its environmental efficiency. With a displacement of 3,318 cm³, it delivers 283 Nm of torque at 1,365 rpm and 48.0 kW of power. Equipped with EGR and DPF, it ensures low emissions while an exclusive regeneration system prevents blockages, minimizing downtime.

REMARKABLE STABILITY

Experience the SV100-7 2PB, featuring Yanmar's innovative VICTAS[®] system, which combines optimized tread and asymmetrical tracks for unrivaled stability. This pioneering solution minimizes track deformation, reduces vibrations, and ensures quieter operation, setting new standards for performance. Alongside VICTAS[®], the excavator boasts a large counterweight, excellent weight distribution, and a low center of gravity, enhancing stability beyond conventional machines in its weight class while delivering impressive lifting capabilities.



SIMPLE AND EFFECTIVE MAINTENANCE

MAINTENANCE MADE EASY

At Yanmar, operator convenience is a top priority, which is why our designs focus on simplifying maintenance tasks. We've ensured that both daily upkeep and the durability of parts are optimized, resulting in reduced maintenance efforts and extended component lifespan. The radiator area and battery are easily accessible from the ground via a large flap, making them simple to clean.



EASY COMPONENT ACCESS

The rear and side covers with wide openings provide straightforward access for daily maintenance. Key engine components, including the hydraulic and air filters, are easily reachable. The top cover on the right side grants access to the fuel tank, refueling pump, and hydraulic fluid refill points. Opening the entire right-hand side reveals direct access to the main control valve, battery, water separator, radiator, and air filter.



LIFTING CAPACITY



Tipping load,
rating over front



Tipping load,
rating over side 90°

A-Overhang from
rotational axis (m)

B- Height of hooking point (m)

Short arm, additional counterweight

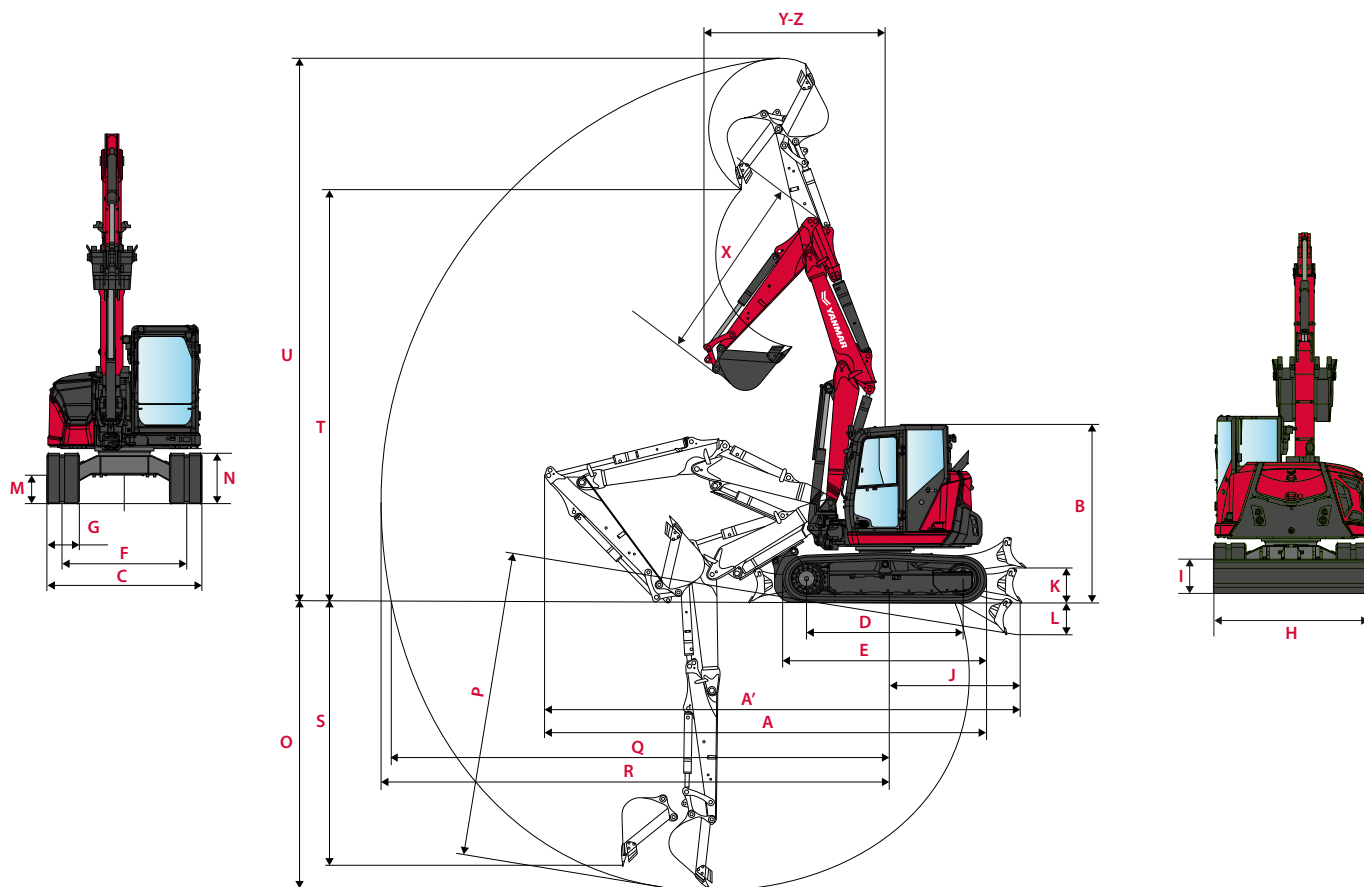
		Blade up									
A	Max.	6 m		5 m		4 m		3 m			
5 m		1 543	1 847	-	-	1 751	1 860	2 376	2 373	-	-
4 m		1 271	1 546	-	-	1 757	2 164	2 535	2 520	2 905	3 026
3 m		1 139	1 410	1 263	1 528	1 699	2 257	2 404	2 813	-	-
2 m		1 080	1 342	1 237	1 532	1 650	2 018	2 261	3 198	-	-
1 m		1 088	1 223	1 211	1 390	1 558	1 798	2 099	2 504	-	-
0 m		1 116	1 391	1 192	1 338	1 541	1 739	2 016	2 471	-	-
-1 m		1 174	1 129	-	-	1 565	1 720	2 067	2 643	3 271	3 306
-2 m		710	715	-	-	1 254	1 256	1 857	1 890	2 221	2 283

Short arm, additional counterweight

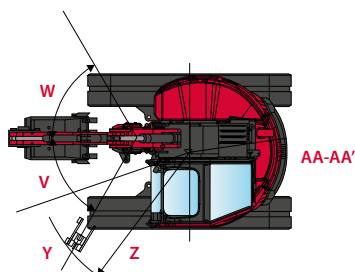
		Blade down									
A	Max.	6 m		5 m		4 m		3 m			
5 m		1 570	2 166	-	-	1 786	2 167	2 358	2 392	-	-
4 m		1 302	1 963	-	-	1 793	2 174	2 521	2 532	2 912	3 007
3 m		1 173	1 859	1 286	1 956	1 728	2 282	2 407	2 843	-	-
2 m		1 104	1 734	1 254	1 990	1 663	2 457	2 300	3 249	-	-
1 m		1 103	1 548	1 235	1 884	1 597	2 415	2 151	3 223	-	-
0 m		1 145	1 380	1 227	1 708	1 541	1 561	2 041	3 061	-	-
-1 m		1 167	1 147	-	-	1 565	1 594	2 091	2 600	3 259	3 258
-2 m		698	709	-	-	1 254	1 231	1 858	1 849	2 209	2 264

[The data in this table represents the lifting force in accordance with the ISO 10567 standard. They do not include the bucket weight, and correspond to 75% of the maximum static tipping load and 87% of the hydraulic lifting force]

DIMENSIONS



A Overall length	6680 mm	H Overall blade width	2320 mm
A' Overall length with blade at the back	7180 mm	I Overall blade height	520 mm
B Overall height	2670 mm	J Blade distance	2040 mm
C Overall width	2320 mm	K Max. lifting height above the ground	525 mm
D Length of track on ground	2350 mm	L Max. lowering depth from the ground	480 mm
E Undercarriage length	3060 mm	M Min. ground clearance	435 mm
F Lane	1870 mm	N Min. ground clearance under counterweight	795 mm
G Track width	485 mm		



O Max. digging depth - Blade lifted	4330 mm	V Boom swing to left	60°
P Max. digging depth - Blade lowered	4580 mm	W Boom swing to right	60°
Q Max. digging reach on ground	7420 mm	X Arm length	1950 mm
R Max. digging reach	7590 mm	Y Front turning radius	2730 mm
S Max. vertical wall	3960 mm	Z Front turning radius with boom swing	1890 mm
T Max. unloading height	6240 mm	AA Rear turning radius	1465 mm
U Max. cutting height	8220 mm	AA' Rear turning radius with additional counterweight	1465 mm

SPECIFICATIONS

[WEIGHT +/- 2% (EU-STANDARD)]

	Transport weight	Operating weight	Ground pressure
With rubber tracks	10260	10335	0.461 kg/cm ²
With steel tracks (+ 110 kg)	10370	10445	0.468 kg/cm ²

400 kg weight is applied as standard with 2PB specification.

[ENGINE]

Type	4TNV98CT-VBV2
Regulation	EC NRMM STAGE V
Fuel	Diesel
Net power	51.0 kW / 69.3 HP at 2100 min ⁻¹
Gross power	53.7 kW / 72.3 HP at 2100 min ⁻¹
Displacement	3.318 l
Maximum torque	283-308 N.m
Cooling	Water-cooling
Starter	12V - 3kW
Battery	12V - 100Ah(for 20 hours)
Alternator	12V - 80A

[HYDRAULIC SYSTEM]

Maximum pressure	275 bars
1 piston pump with variable flow	137.8 l/min
1 piston pump with variable flow	137.8 l/min
1 gear pump for pilot line	21 l/min

AUX

Theoretical data at 2100 rpm

	Pressure	Oil flow
1	0 - 245 bars	71 - 100 l/min
2	0 - 245 bars	50 - 70 l/min
3	0 - 245 bars	50 - 60 l/min



Oil flow decreases as the pressure increase.

[PERFORMANCE]

Travel speed with rubber crawler (low / high)	2.1 / 4.3 km/h
Travel speed with steel crawler (low / high)	2.0 / 4.0 km/h
Rotation speed	9.0 min ⁻¹
Digging force (short arm / long arm)	45.9 KN / -
Digging force (bucket)	68.4 KN
Traction force	75.5 kN
Gradability	25°
Noise level (2000 / 14 / CE & 2005 / 88 / CE)	LwA:97.5 dBA ; Lpag:76 dBA

[UNDERCARRIAGE]

Number of top rollers	1
Number of bottom rollers	5
Track tensioning system	Grease cylinder

[CAPACITIES]

Fuel tank	115 l
Coolant	13.3 l
Engine oil	11.2 l
Hydraulic circuit (including hydraulic tank)	118 l
Hydraulic tank	60 l

[MAINTENANCE FREQUENCY]

[Change engine oil and filter: **500 hours**] [Change fuel filter: **500 hours**] [Change hydraulic oil filter: **500 hours**] [Change hydraulic oil: **1000 hours**] [Change cooling fluid: **2000 hours**] [Clean particulate filter: **3000 hours**] [Change particle filter: **9000 hours**]

EQUIPMENT

[STANDARD EQUIPMENT]

PERFORMANCE

EU Stage V diesel engine – Diesel particulate filter (DPF) | Direct injection | Common rail system | EGR Electrical control system | Engine control unit (ECU) | Water separator | Power and Eco modes | Auto-idle and automatic engine shutdown | ViPPS2i hydraulic system (progressive 2-stage pump system) | 2 additional hydraulic circuits with proportional control – Flow rate adjustable on the display | 5 storage slots for attachments settings | Electronic control of the hydraulic pumps | 2-speed automatic transmission | External hydraulic oil indicator | Floating position for the blade | Additional counterweight.

OPERATING COMFORT

7" colour display | Cab mounted on viscoelastic silent blocks | Automatic air conditioning | Adjustable reclining seat with fabric covers, air suspension and headrest | Adjustable wrist rest | Footrests | Wide drive pedals | Windscreen with 2 fully extendible sections | Roof window | Sun visor | Windscreen wiper | Windscreen washer system | Automatic ceiling light | USB and 12 V socket | Storage compartments | Compartment for mobile phone | Cup holder.

SAFETY AND DURABILITY

Handrails | Safety lever | Safety belt with retractor | Evacuation hammer | Lashing points | Rear and side camera | Horn | Drive alarm that can be switched off | 1 LED headlight integrated in the boom | 2 LED headlights on the front of the cab | Asymmetrical VICTAS crawlers | Two-piece blade cylinder supply hose | Safety valves for lifting operations and overload warning.

MISCELLANEOUS INFORMATION

Electric refuelling pump with automatic switch-off | Fuel gauge | Blade cylinder and boom cylinder protection | Hose protection with abrasion-resistant cover | Cataphoresis-treated steel parts | Lockable covers | Toolbox | Tool kit | Grease gun.

[OPTIONAL EQUIPMENT]

PERFORMANCE

Safety valve for bucket cylinder | Proportional 3rd hydraulic auxiliary circuit | Pipework for Powertilt | Grapple circuit | Leak oil line | High-pressure line for hydraulic quick coupler system | Quick coupler | Steel tracks | Screw-on rubber plates for steel tracks | Bio-oil filling.

OPERATING COMFORT

Premium seat cover | Vinyl seat | MP3-radio with USB ports.

SAFETY AND DURABILITY

Automatic central lubrication system | SmartAssistRemote | 270° camera system | Driving alarm – Cry of lynx (can be switched off or not) | 1 LED rear headlight and amber rotating beacon | Battery cut-off switch | Anti-theft device with password and/or coded key.

MISCELLANEOUS INFORMATION

Customized paint finish.

[ATTACHMENTS]

To maximise the versatility of your midi excavator, we offer a range of factory-fitted attachments. The Yanmar range includes selected mechanical and hydraulic quick couplers, Powertilt, backhoe buckets, ditch cleaning buckets, ripper teeth and crushers.



YANMAR



Yanmar Compact Equipment EMEA

GB_SV100-7-2PB_0724



www.yanmar.com

***BUILDING
WITH YOU***

Printed in France – Materials are subject to change without notice – Please contact your local Yanmar Construction Equipment Europe dealer for further information. This digital leaflet is not intended for printing.