



PAUS
...the people who care

DUMPER

SMK 9036
AKR 9040
AKR 9060
AKR 9095

ROBUST AND
POWERFUL

CONSTRUCTION MACHINES
MINING AND TUNNELING | LIFTTECH



PAUS OFFERS

ALL THAT IS REQUIRED IN
YOUR DAILY OPERATIONS:

- Stability and durability in every situation
- Sufficient performance and power for every operation
- Manoeuvrable and fast in confined spaces
- Reliability in excellent quality

A family business with a feeling for the truly important things

Paus stands for efficiency, quality and sustainability in true mechanical engineering tradition. As a family business, we develop construction machines, mining and tunneling vehicles, lift technology and industrial vehicles at our Emsland site in Emsbüren, Germany.

Our goal: Your success! Paus machines will enable you to continually master even the toughest challenges.

PAUS
...the people who care

Here you can reach
our new image film:



THE PAUS DUMPERS

ROBUST FINISH WITH THE BEST MOTORIZATION AND PERFORMANCE

SMK 9036
THE MULTI-TALENT



AKR 9040
THE GENERALIST



AKR 9060
THE ALL-ROUNDER



AKR 9095 HP
THE POWER PACK



PAUS
...the people who care

PAUS DUMPER

Powerful and versatile

SMK 9036

- 3.640 kg payload
- 1.600 l bucket volume*
- 44,5 kW engine output

AKR 9040

- 4.000 kg payload
- 2.200 l bucket volume*
- 44,5 kW engine output

AKR 9060

- 6.000 kg payload
- 3.240 l bucket volume*
- 55,4 kW engine output

AKR 9095 HP

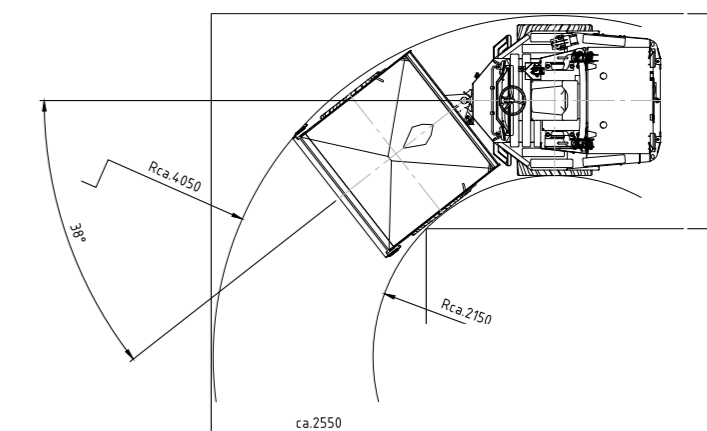
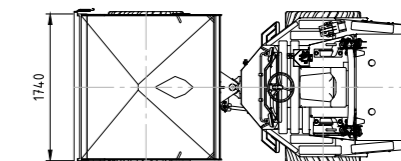
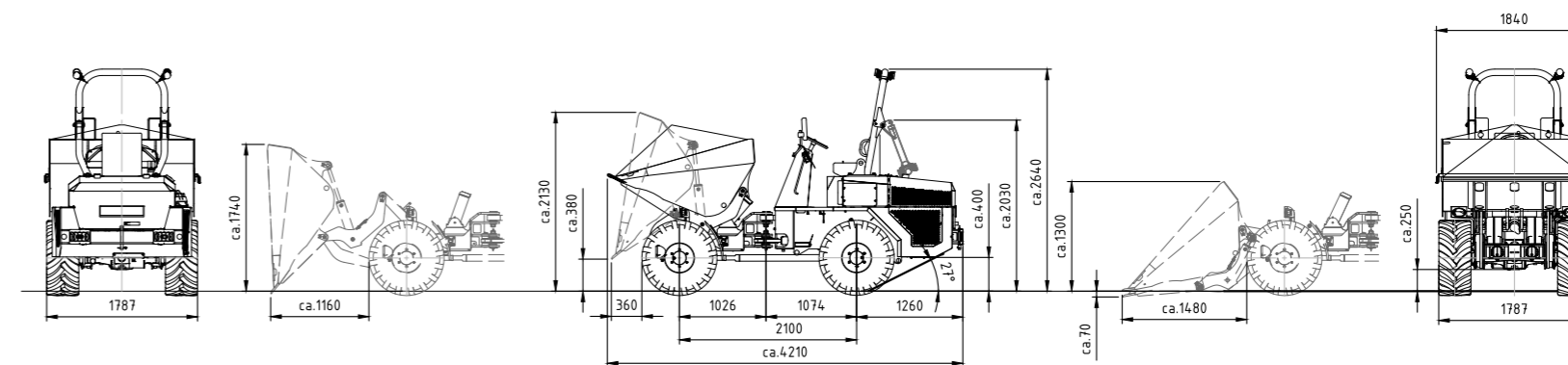
- 9.500 kg payload
- 5.000 l bucket volume*
- 90 kW engine output

* heaped

DUMPER WITH LOWERING SKIP SMK 9036

PRODUCT HIGHLIGHTS THE MULTI-TALENT OF DUMPERS

- Durability of product due to solid steel frame with unique self-loading function
- Stable self-loading skip for flexible use
- Strong, fast and reliable skip kinematics for fast operation
- Continuously variable hydrostatic four-wheel drive for high tractive effort in the most difficult terrain
- Parking brake automatically engages when engine stops
- Single lever joystick control of skip functions
- Easy service and maintenance access favours machine care and saves time
- Maintenance-free oil-immersed multi-disc brake for lower costs due to less wear
- Foldable ROPS roll bar for low transport height



Powerful and versatile for urban construction

The dump truck is used for versatile hauling, backfilling and grading, as well as picking up bulk materials, especially on construction sites with limited space. Its high thrust power and loading capabilities make it a unique all-rounder on any construction site. Loading is made easy by the special skip configuration, which can be used without any problems.

The SMK 9036 combines the transport capability of a dumper with the self-loading function of a wheel loader!



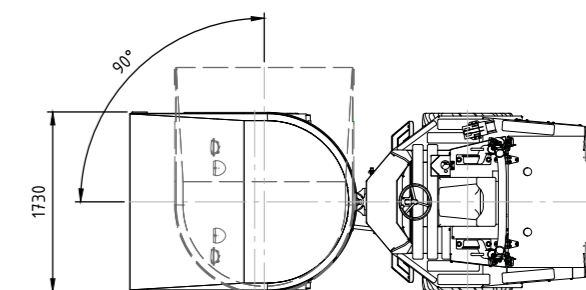
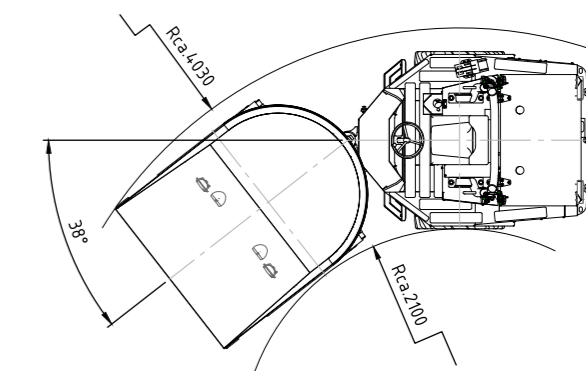
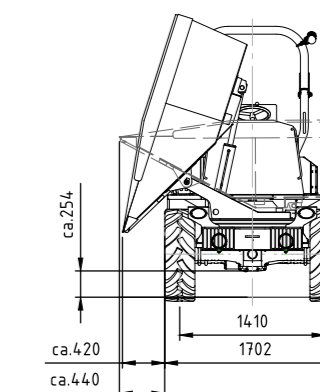
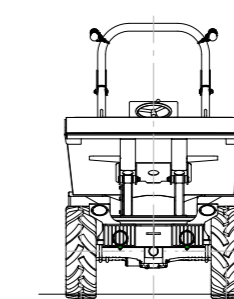
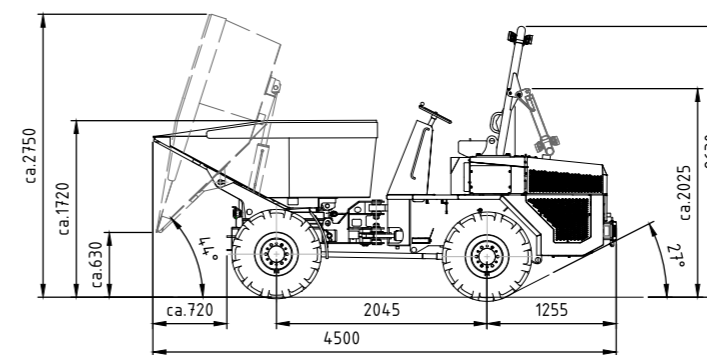
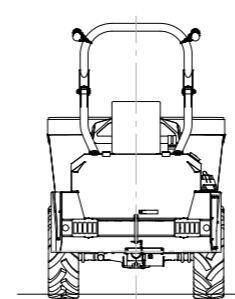
TECHNICAL DATA SMK 9036

Payload	3.650 kg
Bucket volume	1.600 l
Engine output	44,5 kW / 2.200 l/min
Engine	Deutz TD 2.2 stage V
Operating weight	3.475 kg
Machine width	1.787 mm
Tire size	15.0/55 - 17"
Max. driving speed	20 km/h

DUMPER AKR 9040

PRODUCT HIGHLIGHTS THE GENERALIST OF DUMPERS

- Durability of product due to solid steel frame
- Enables work in confined spaces with 180° rotatable and stable skip
- Strong, fast and reliable skip kinematics for fast operation
- Continuously variable hydrostatic four-wheel drive for high tractive effort in the most difficult terrain
- Maintenance-free, oil-immersed multi-disc brake for reduced wear and lower costs
- One-hand operation of the skip
- Easy service and maintenance access favours machine care and saves time
- Foldable ROPS roll bar for low transport height



Powerful and versatile for urban construction

Due to the 180° rotatable dumper body, the Paus round dumper enables easy working in confined spaces.

The Paus Dumper AKR 9040 can be used flexibly in different working areas due to its small drive-through width. The round skip can therefore be used for road construction, landscaping, municipal areas, cable construction, general material transport and much more.

The large volume of the dumper enables economical transport and backfilling of bulk materials.



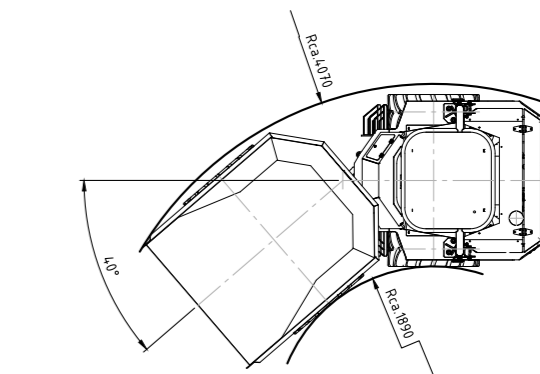
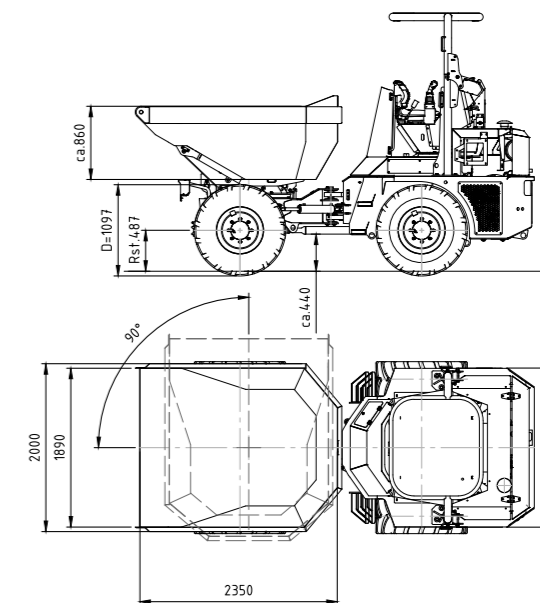
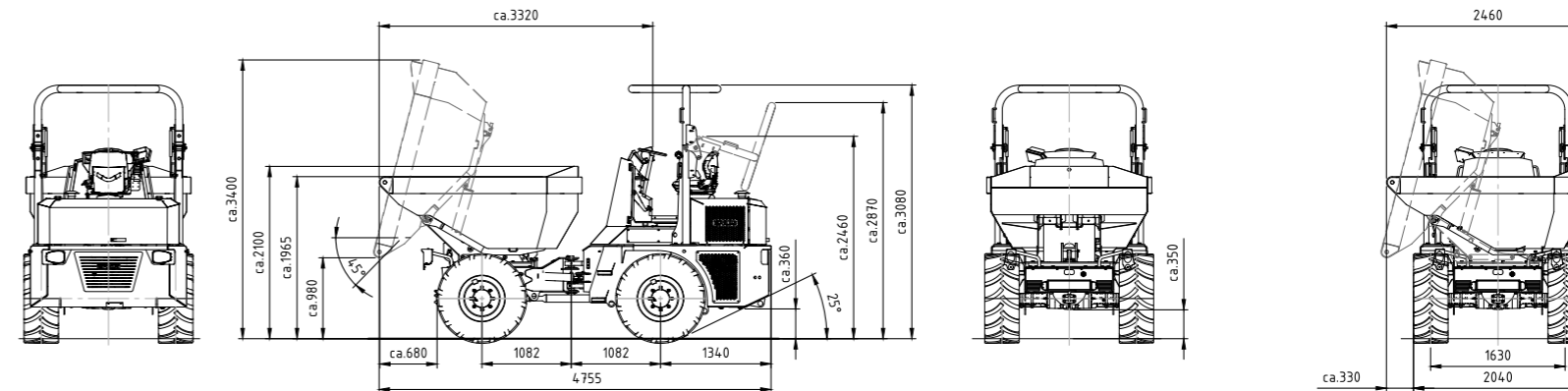
TECHNICAL DATA AKR 9040

Payload	4.000 kg
Bucket volume	2.200 l
Engine output	44,5 kW / 2.200 1/min
Engine	Deutz TD 2.2 stage V
Operating weight	3.030 kg
Machine width	1.730 mm
Tire size	11.5/80 – 15,3"
Max. driving speed	20 km/h

DUMPER AKR 9060

PRODUCT HIGHLIGHTS ON THE JOB WITH YOUR ALL-ROUNDER

- Powerful all-rounder
- Swivelling operator's platform as standard for optimum visibility and to avoid time-consuming turning manoeuvres
- Very large hopper volume with large dumping widths
- Continuously variable hydrostatic 4-wheel drive with 2-speed gearbox provides enormous traction even in the most difficult terrain
- Automatic parking brake for maximum safety and convenience
- Robust 180° skip for working in confined spaces
- Foldable ROPS-FOPS unit for low transport height
- Ergonomic and comfortable access from both sides
- Transverse engine mounting for optimised centre of gravity and service access



High efficiency on construction sites

Due to the large tipping volume in combination with the 180° rotatable skip, the Paus round skip is used on all construction sites for the transport of larger bulk materials. The compact dimensions allow easy manoeuvring. The rotating operator's platform makes driving easy and clear. For added safety, an optional dump guard catches falling material and protects the operator.

Amazing volume with a large dumping width.



TECHNICAL DATA AKR 9060

Payload	6.000 kg
Bucket volume	3.240 l
Engine output	55,4 kW / 2.300 1/min
Engine	Deutz TD 2.9
Operating weight	4.700 kg
Machine width	2.040 mm
Discharge width sideways	330 mm
Discharge width in direction of travel	680 mm
Tire size	400/70-20"
Max. driving speed	25 km/h

DUMPER AKR 9095 HP

PRODUCT HIGHLIGHTS

THE POWER PACK FOR YOUR TRANSPORT TASKS

- Versatile use due to extremely large skip volume with maximum discharge widths
- Extremely powerful, manoeuvrable package with very high engine power and large steering angle (35°)
- Rotating operator's platform as standard for optimum visibility and avoidance of time-consuming turning manoeuvres
- Continuously variable hydrostatic 4-wheel drive with 2-speed gearbox provides enormous tractive effort even on the most difficult terrain
- Automatic parking brake for maximum safety and convenience
- Foldable ROPS-FOPS unit for low transport height
- Ergonomic and comfortable access from both sides
- Transverse engine mounting for optimised centre of gravity and service access



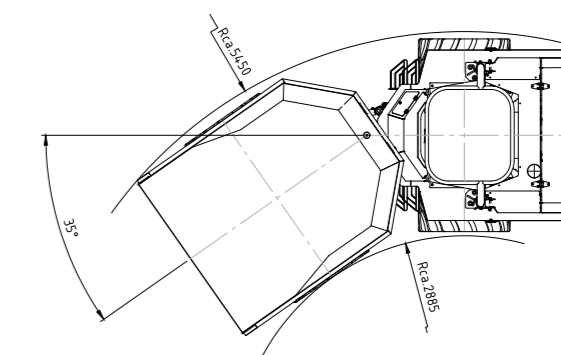
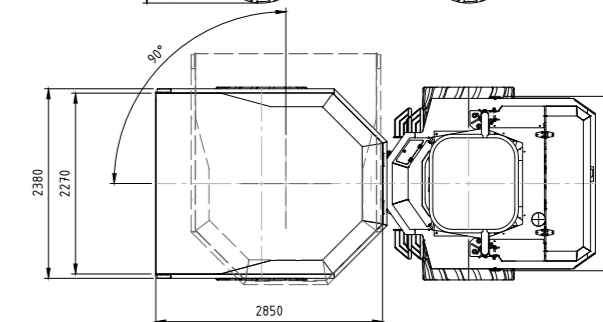
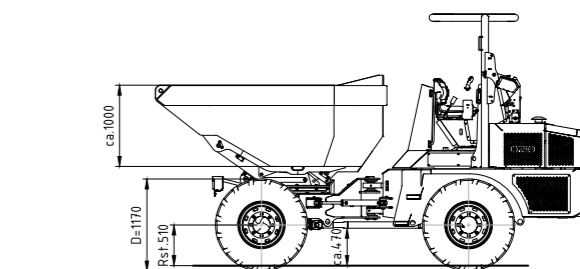
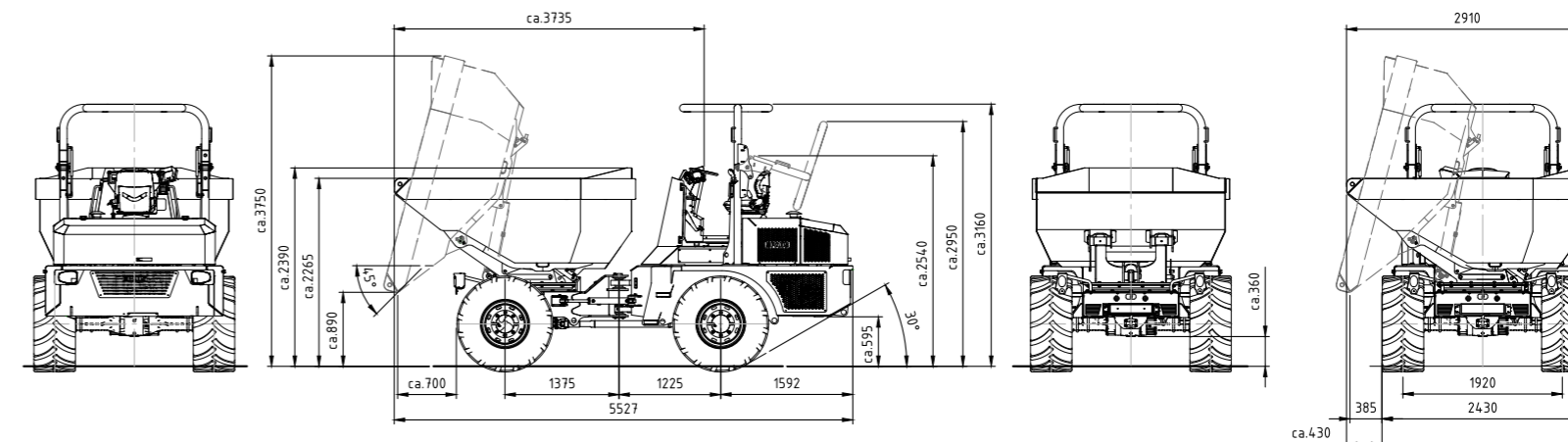
Increased operating productivity

Extremely high engine power makes it easy to climb slopes and the large body volume increases productivity.

The rotating operator's platform, combined with the standard camera, allows easy and clear transport of even large quantities of material.

The articulated pendulum joint adapts to any unevenness and ensures maximum comfort for both driver and operator.

The high quality of the solid steel frame, influenced by our mining expertise, makes the dumper an extremely durable product.



TECHNICAL DATA AKR 9095 HP

Payload	9.500 kg
Bucket volume	5.500 l
Engine output	90 kW / 2200 1/min
Engine	Deutz TCD 3.6
Operating weight	6.300 kg
Machine width	2.430 mm
Discharge width sideways	430 mm
Discharge width in direction of travel	700 mm
Tire size	500/60-22,5"
Max. driving speed	25 km/h

SERVICE

THE ONES WHO TAKE CARE ABOUT YOUR FLEET

CUSTOMER SERVICE



SPARE PARTS AND CATALOGUE



TRAININGS



WARRANTIES



SERVICE NETWORK



CONTACT



PAUS CONNECT



PAUS QUICKSUPPORT



WE ARE THERE,

WHERE OUR CUSTOMERS NEED US

Maintenance and service:

Repairs and maintenance work are central points in customer service.

Paus offers a comprehensive service program to its customers:

- Service on site or in the factory by technicians
- Service by our trained, regional service partners
- Support for customers with technical inquiries through our service consultant

SPARE PARTS

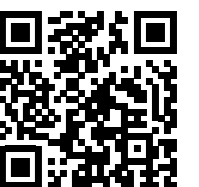
We give high priority to the availability of Paus spare parts.

Besides maintenance and service parts, we offer our customers the possibility to purchase spare parts for engines, axles, gearboxes, etc. through us.

Furthermore, maintenance and service packages can be called up from us. You are welcome to use our online spare parts catalog for this purpose.

This fast and uncomplicated service is guaranteed by our comprehensive concept of disposition, warehousing, and logistics. We maintain stock at the Paus central warehouse in Emsbüren for our customers at any time.

Please do not hesitate to contact us for a specific consultation, if necessary also at our dealer's on-site.





**HERMANN PAUS
MASCHINENFABRIK GMBH**

Siemensstraße 1-9
D-48488 Emsbüren
info@paus.de
+49 5903 707-0

FOLLOW US ON



WWW.PAUS.DE

WE CARE

As a specialist for complete and special solutions Paus offers an extensive range of machines for mining and tunneling, lift technology and construction machinery since 1968.

Paus means „Quality Made in Germany“.

Our quality management is certified according to ISO 9001.



Your dealer:

Publication details © Copyright 2022, Hermann Paus Maschinenfabrik GmbH, Emsbüren, Germany. Any form of unauthorised use or reproduction of the content, in whole or in part is prohibited. Illustrations and photos may show features with optional equipment. The specifications printed here are without guarantee. The right is reserved to amend the technical data and the equipment without advance notice. Please contact Hermann Paus Maschinenfabrik GmbH for further information.